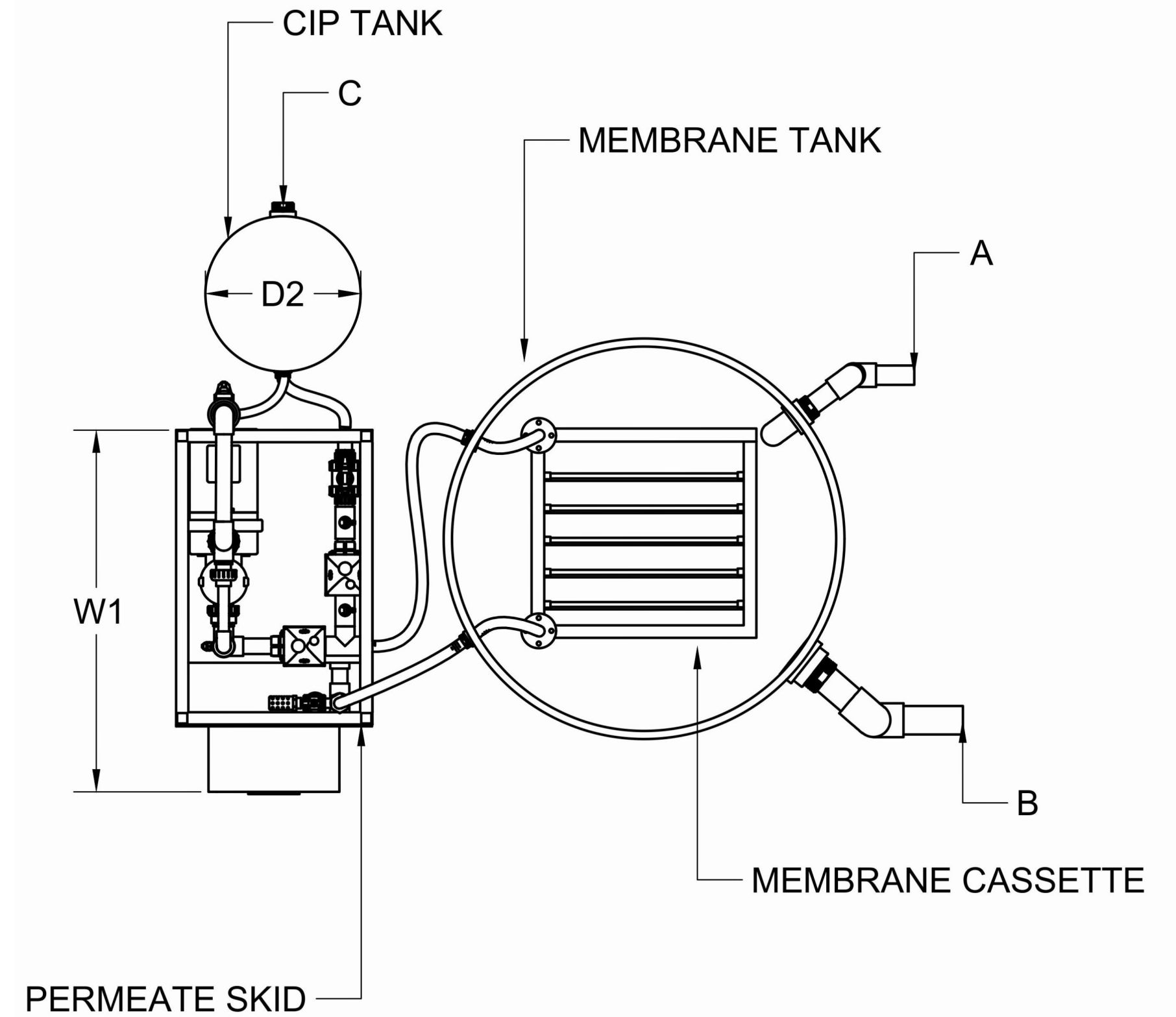
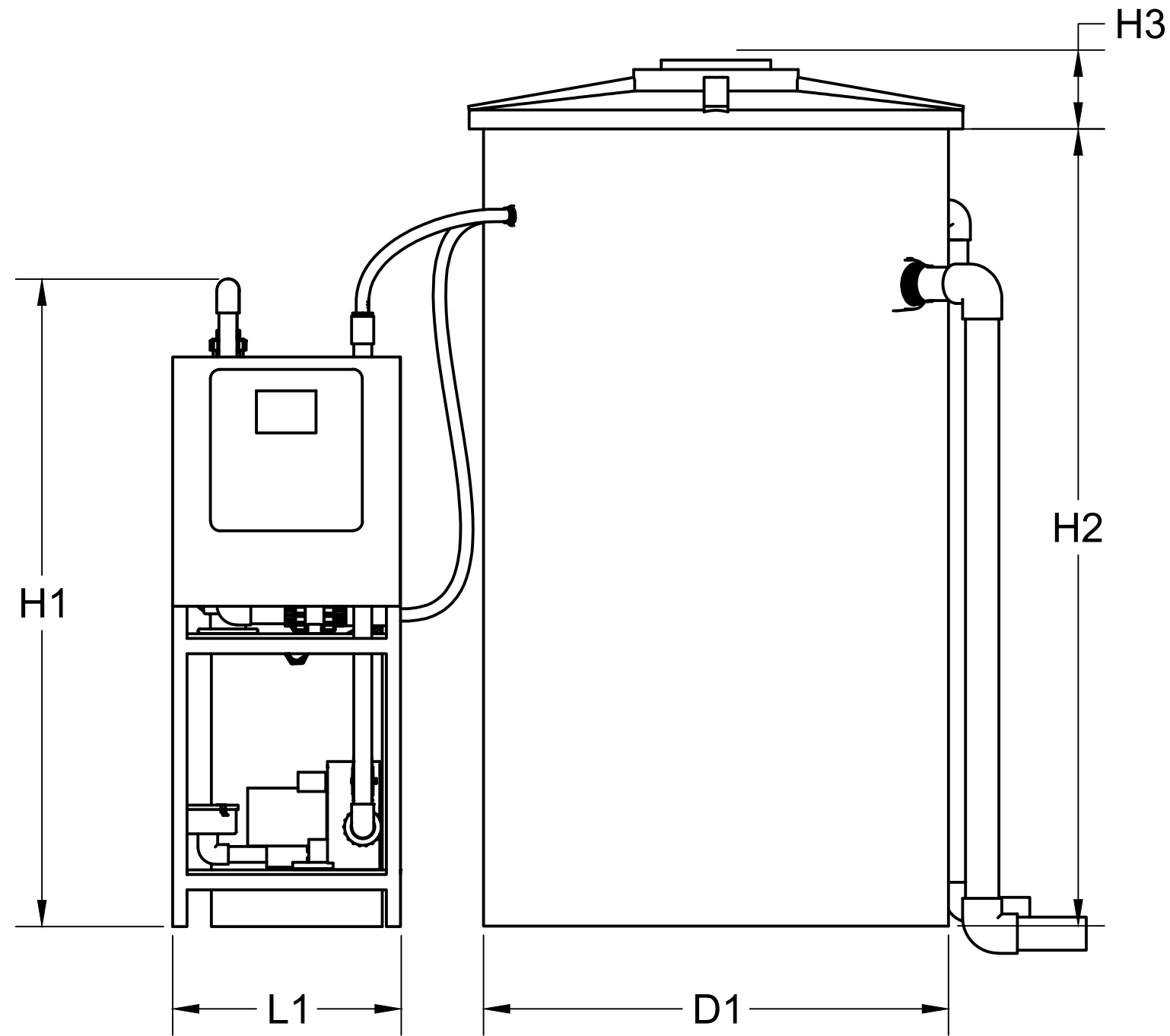


nrPUR™ Pilot- Membrane Filtration Module



	Connection Description
A	Feed Forward Inlet
B	Return Overflow
C	Treated Water Overflow

	Dimensions							Fittings			Power (HP)	
	Permeate Skid			Membrane Tank			CIP Tank	A	B	C	Filtration ¹	Airscour ²
	L1	W1	H1	D1	H2	H3	D2					
nrPUR Pilot	24"	48"	72"	49"	85"	8"	ø 18"	2"	3"	2"	0.5	2.0

1 - 115V- 1P- 60Hz
 2 - 230V- 3P- 60Hz

